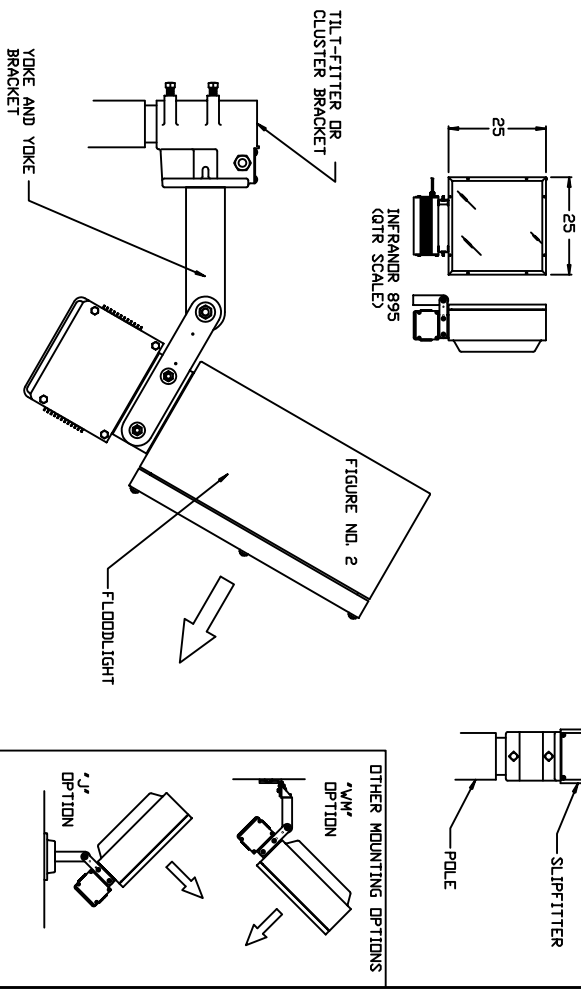
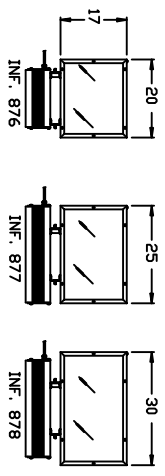


INFRANOR 876, 877,
878 AND 895
INSTALLING YOKE AND YOKE BRACKET
ON INFRANOR 800 SERIES PRODUCTS

SHEET 1 OF 2

STEP 1

- * YOKE AND YOKE BRACKET ARE SHIPPED "BROKEN" DOWN FOR FIELD ASSEMBLY. THE REASON FOR THIS IS BECAUSE OF THE UNIQUE WAYS THIS FLOODLIGHT SERIES CAN BE AIMED AND MOUNTED.
- * DETERMINE HOW FIXTURE IS MOUNTED AND AIMED.
- * CONFIGURATION FRONT : IF THE FLOOD IS TO BE MOUNTED WITH A SLIPFITTER AND PUT ON TOP OF A POLE, THE BRACKETS WILL GO TO THE FRONT, AS IN FIGURE NO. 1
- * CONFIGURATION REAR : IF THE FLOODLIGHT IS TO BE MOUNTED WITH A TILTFITTER OR CLUSTER BRACKET ON TOP OF A POLE, THE BRACKETS WILL GO TO THE REAR, AS IN FIGURE NO. 2



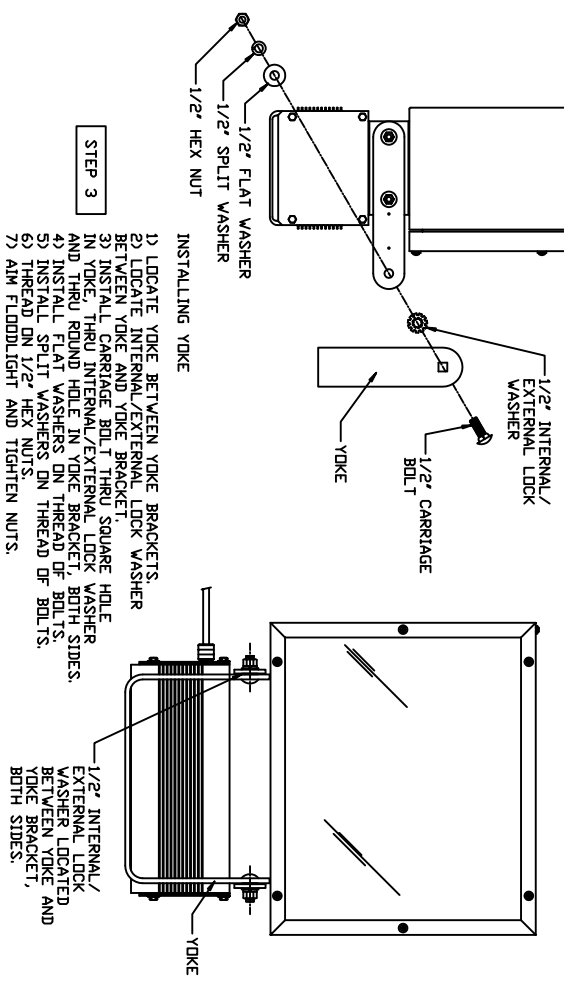
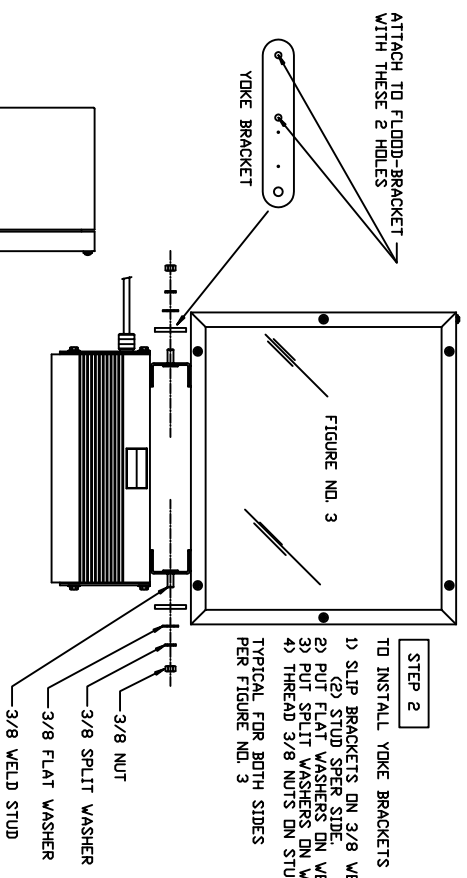
SYN	CHANGE MADE	DR	CRD	DATE	NO	REF.	DATE	IS	PRINT
MATERIAL									
FINISH									
FINISH CODES									
STERNER									
DATE									
NO									
REF.									
DATE									
IS									
PRINT									
TITLE	YOKE INSTALLATION FOR INFRANOR 800 SERIES FLOODS								
NO	411								
REV.	71S00659000								

INFRANOR 876, 877,
878 AND 895
INSTALLING YOKE AND YOKE BRACKET
ON INFRANOR 800 SERIES PRODUCTS

SHEET 2 OF 2

STEP 2

- TO INSTALL YOKE BRACKETS :
- 1) SLIP BRACKETS ON 3/8" WELD STUDS
 - 2) STUD SPER SIDE.
 - 3) PUT FLAT WASHERS ON WELD STUD.
 - 4) THREAD 3/8" NUTS ON STUD, TIGHTEN.
- TYPICAL FOR BOTH SIDES PER FIGURE NO. 3



STEP 3

- INSTALLING YOKE
- 1) LOCATE YOKE BETWEEN YOKE BRACKETS.
 - 2) LOCATE INTERNAL/EXTERNAL LOCK WASHER BETWEEN YOKE AND YOKE BRACKET.
 - 3) INSTALL CARRIAGE BOLT THRU SQUARE HOLE IN YOKE, THRU INTERNAL/EXTERNAL LOCK WASHER AND THRU ROUND HOLE IN YOKE BRACKET, BOTH SIDES.
 - 4) INSTALL FLAT WASHERS ON THREAD OF BOLTS.
 - 5) INSTALL SPLIT WASHERS ON THREAD OF BOLTS.
 - 6) THREAD ON 1/2" HEX NUTS.
 - 7) AIM FLOODLIGHT AND TIGHTEN NUTS.

SYN	CHANGE MADE	DR	CRD	DATE	NO	REF.	DATE	IS	PRINT
MATERIAL									
FINISH									
FINISH CODES									
STERNER									
DATE									
NO									
REF.									
DATE									
IS									
PRINT									
TITLE	YOKE INSTALLATION FOR INFRANOR 800 SERIES FLOODS								
NO	411								
REV.	71S00659000								