

DANGER: DISCONNECT A.C. POWER SOURCE BEFORE INSTALLING OR SERVICING FIXTURE!

STERNER  
INFANOR®

WHEN INSTALLING ON A VERTICAL SURFACE, ENSURE CAPACITOR IS POSITIONED TOWARDS GROUND

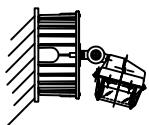
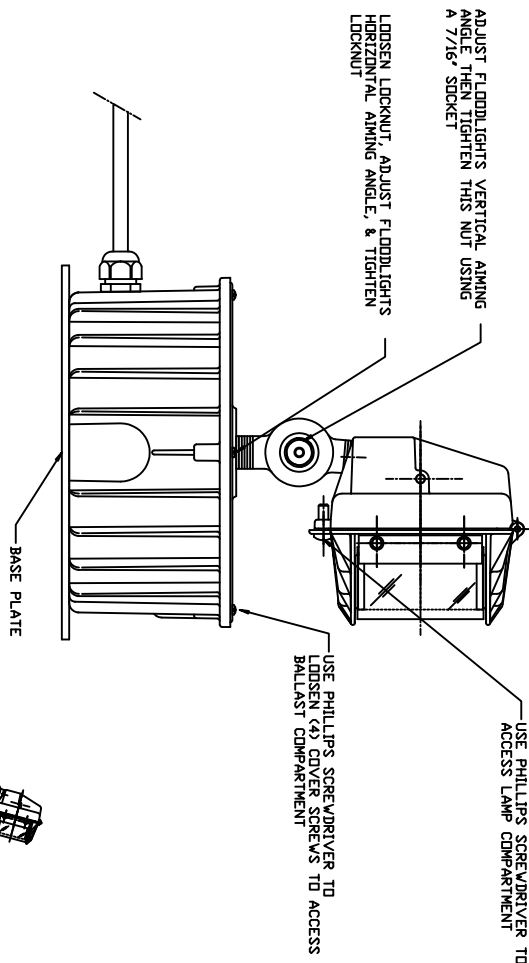
CAPPELLA 5d PLATE MOUNT  
INSTALLATION/SERVICE INSTR.

DANGER: DISCONNECT A.C. POWER SOURCE BEFORE INSTALLING OR SERVICING FIXTURE!

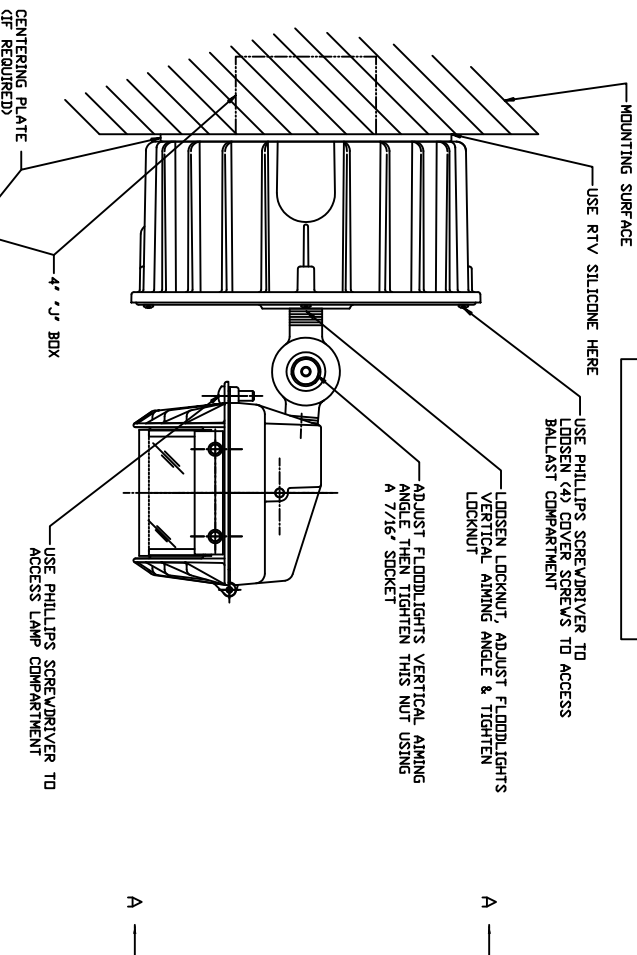
STERNER  
INFANOR®

WHEN INSTALLING ON A VERTICAL SURFACE, ENSURE CAPACITOR IS POSITIONED TOWARDS GROUND

CAPPELLA 5d WALL MOUNT  
INSTALLATION/SERVICE INSTR.



CAUTION:  
DO NOT AIM BACK ONTO A COMBUSTABLE MOUNTING SURFACE.



VIEW A-A  
THE USE OF THE CENTERING PLATE IS OPTIONAL. MOUNT CENTERING PLATE WITH SUPPLIED SCREWS. PROVIDE SEALING GRTV SILICONE RECOMMENDED BY THE 'J' BOX TO THE CENTERING PLATE OR THE BALLAST BOX IS THE RESPONSIBILITY OF THE INSTALLER. MOUNT BALLAST BOX WITH SUPPLIED GASKET BETWEEN BALLAST BOX AND CENTERING PLATE TO CENTERING PLATE WITH SUPPLIED SCREWS.

CAUTION:  
DO NOT AIM BACK ONTO A COMBUSTABLE MOUNTING SURFACE.

CAUTION:  
TO PREVENT DAMAGE TO INTERNAL COMPONENTS, REPLACE LAMP AT OR BEFORE LAMP RATED END OF LIFE. CONSULT LAMP MANUFACTURER FOR SPECIFIC DETAILS ON LAMP LIFE AND RELAMPING RECOMMENDATIONS.

CAUTION:  
FIXTURE CONTAINS SILICONE AND EPDM GASKETS. CLEANING THE GLASS & FIXTURE SURFACES WITH STRONG CHEMICALS MAY DAMAGE THE GASKETS AND DR PAINT. USE CAUTION, FLUSH AND CLEAN WITH CLEAN WATER AFTER CLEANING WITH CHEMICALS.

|     |                 |     |      |          |
|-----|-----------------|-----|------|----------|
| C   | ADDED CAUTION   | JJF | 9371 | 1/23/04  |
| B   | ADDED CAUTION   | JJF | 9354 | 10/23/03 |
| A   | UPDATED ADDRESS | JJF | 9153 | 7/28/03  |
| SYM | CHANGE MADE     | DR  | CAR  | DATE:    |

|                    |               |               |
|--------------------|---------------|---------------|
| QUALIFIER          | QUALIFIER     | QUALIFIER     |
| TOLER-<br>ANCES    | XX +/- .03    | XXX +/- .010  |
| ANGULAR +/- 1 DEG. |               |               |
| VENDOR             | VENDOR        | VENDOR        |
| DESCRIPTION        | DESCRIPTION   | DESCRIPTION   |
| DATE: 10/4/00      | DATE: 10/4/00 | DATE: 10/4/00 |
| IS:                | IS:           | IS:           |
| PRINT:             | PRINT:        | PRINT:        |
| SHEET 1 OF 1       | SHEET 1 OF 1  | SHEET 1 OF 1  |

FILMED

BLANK SIZE: FT, FT 2 FINISH CODES: PER

STERNER

TITLE: INSTALLATION AND SERVICE INSTRUCTIONS, CAPPELLA 5d SWIVEL

STERNER LIGHTING SYSTEMS, INC. 351 LEWIS AVE. W. P.O. BOX 805 WINSTED, MN 55395-0805

PHONE: 204.485.2141 FAX: 204.485.2881

RATIO: NONE # 71S00647500 REV. C