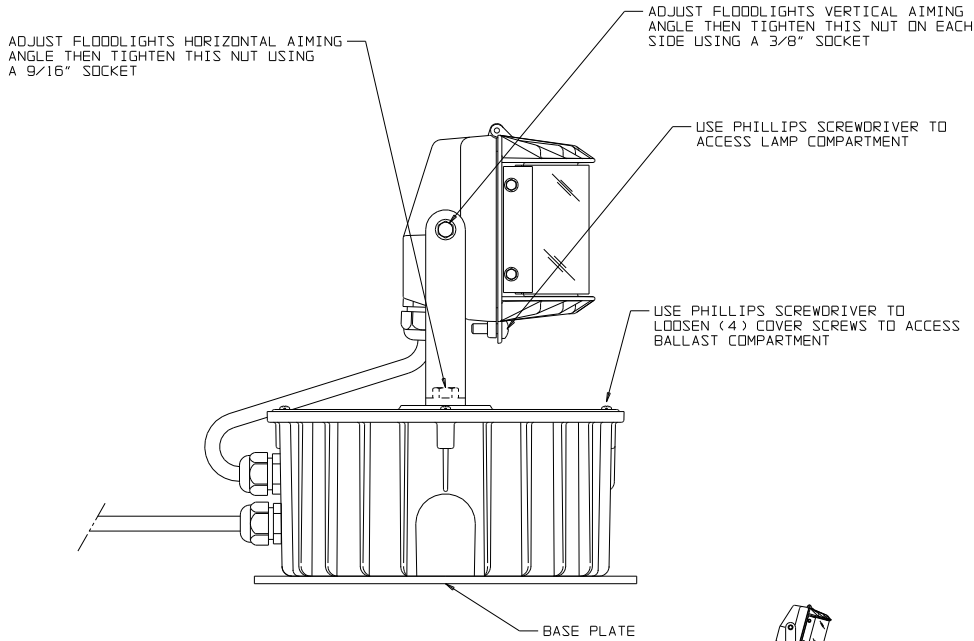


DANGER: DISCONNECT A.C. POWER SOURCE BEFORE INSTALLING OR SERVICING FIXTURE!

STERNER™
INFRANOR™

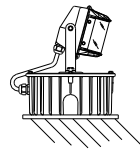
WHEN INSTALLING ON A VERTICAL SURFACE, ENSURE CAPACITOR IS POSITIONED TOWARDS GROUND

CAPELLA 5d PLATE MOUNT
INSTALLATION/SERVICE INSTR.



CAUTION:
TO PREVENT DAMAGE TO INTERNAL COMPONENTS, REPLACE LAMP AT OR BEFORE LAMP RATED END OF LIFE. CONSULT LAMP MANUFACTURE FOR SPECIFIC DETAILS ON LAMP LIFE AND RELAMPING RECOMMENDATIONS.

CAUTION:
FIXTURE CONTAINS SILICONE AND EPDM GASKETS. CLEANING THE GLASS & FIXTURE SURFACES WITH STRONG CHEMICALS MAY DAMAGE THE GASKETS AND OR PAINT. USE CAUTION, FLUSH AND CLEAN WITH CLEAN WATER AFTER CLEANING WITH CHEMICALS.



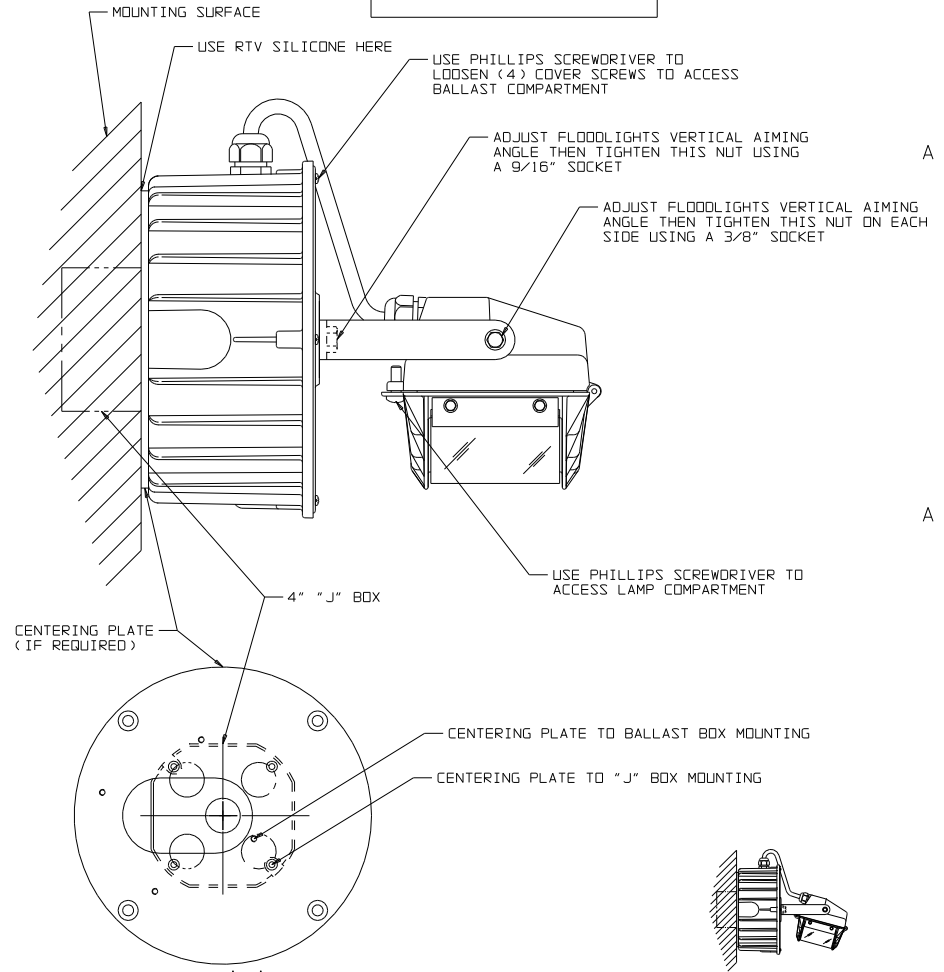
"CAUTION"
DO NOT AIM BACK ONTO A COMBUSTABLE MOUNTING SURFACE.

DANGER: DISCONNECT A.C. POWER SOURCE BEFORE INSTALLING OR SERVICING FIXTURE!

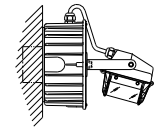
STERNER™
INFRANOR™

WHEN INSTALLING ON A VERTICAL SURFACE, ENSURE CAPACITOR IS POSITIONED TOWARDS GROUND

CAPELLA 5d WALL MOUNT
INSTALLATION/SERVICE INSTR.



VIEW A-A
THE USE OF THE CENTERING PLATE IS OPTIONAL. MOUNT CENTERING PLATE TO "J" BOX EARS WITH SCREWS PROVIDED. SEALING (RTV SILICONE RECOMMENDED) OF THE "J" BOX TO THE CENTERING PLATE OR THE BALLAST BOX IS THE RESPONSIBILITY OF THE INSTALLER. MOUNT BALLAST BOX (WITH SUPPLIED GASKET BETWEEN BALLAST BOX AND CENTERING PLATE) TO CENTERING PLATE WITH SUPPLIED SCREWS.



"CAUTION"
DO NOT AIM BACK ONTO A COMBUSTABLE MOUNTING SURFACE.

C	ADDED CAUTION	JJF	9371	1/23/04				
B	ADDED CAUTION	JJF	9354	10/23/03	QUALIFIER		VENDOR	DESCRIPTION
A	UPDATED ADDRESS	JJF	9153	7/28/03	TOLERANCES	.XX +/- .03	DR: FRENKSD	DATE: 10/4/00
SYM:	CHANGE MADE	DR:	CAR:	DATE:	TOLERANCES	.XXX +/- .010	REF.:	IS: PRINT:
MATERIAL:					ANGULAR +/- 1 DEG.	M#:	SHEET 1 OF 1	
BLANK SIZE:	FT. FT ²	FINISH CODES:	PRI	SEC			TITLE: INSTALLATION AND SERVICE INSTRUCTIONS, CAPELLA 5d YOKE	
STERNER LIGHTING SYSTEMS, INC. 351 LEWIS AVE. W. P.O. BOX 805 WINSTED, MN 55395-0805 PHONE: 320.485.2141 FAX: 320.485.2881							RATIO: NONE	#:

FILMED: