

POLARIS-12
INSTALLATION
INSTRUCTIONS FOR
YORK MOUNT

**STERNER™
INFANOR™**

MOUNTING AND
AIMING

⚠ DANGER! DISCONNECT A.C. POWER SOURCE BEFORE INSTALLING OR SERVICING FIXTURE!

TOOLS REQUIRED FOR INSTALLATION:

1. PHILIPS SCREW DRIVER.
2. RAGHET WRENCH WITH 3/4" SOCKET.
3. RAGHET WRENCH WITH 1 1/8" SOCKET.

STEP #1

1. MOUNT YORKE TO MOUNTING ACCESSORY WITH 3/4" BOLT

STEP #2

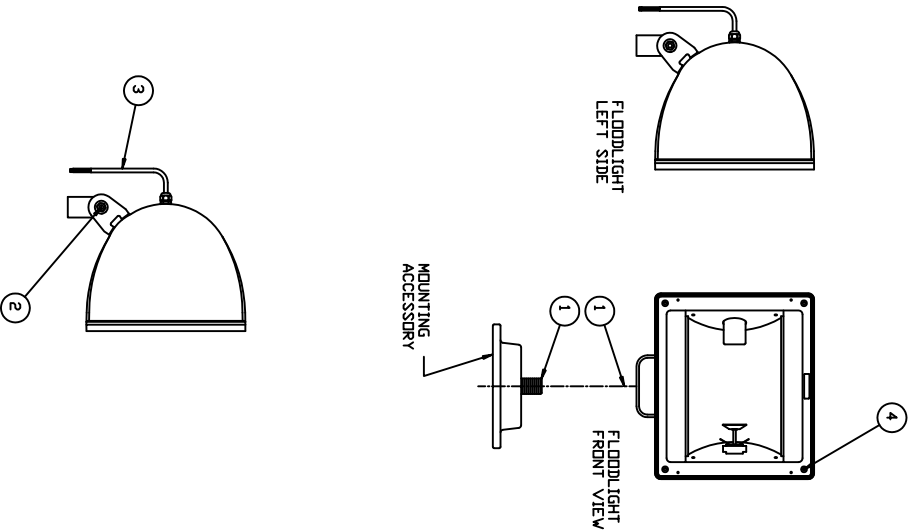
2. ADJUST FLUDDLIGHTS' VERTICAL AIMING ANGLE THEN TIGHTEN THESE SCREW WITH WRENCH. THERE IS ONE ON EACH SIDE.

STEP #3

3. CONNECT SUPPLY CORD TO POWER ACCORDING TO N.E.C. AND LOCAL CODES.

STEP #4

4. TO INSTALL LAMP, USE PHILIPS SCREW DRIVER TO LOOSEN (4) DOOR SCREWS TO ACCESS LAMP COMPARTMENT. (SCREWS ARE CAPTIVE). RELACE DOOR AND TIGHTEN ALL 4 SCREWS



POLARIS-12
INSTALLATION
INSTRUCTIONS FOR
YORK MOUNT

**STERNER™
INFANOR™**

SERVICING

⚠ DANGER! DISCONNECT A.C. POWER SOURCE BEFORE INSTALLING OR SERVICING FIXTURE!

TOOLS REQUIRED FOR INSTALLATION:

1. PHILIPS SCREW DRIVER.
2. RAGHET WRENCH WITH 5/16" SOCKET.

STEP #1

1. TO SERVICE LAMP OR BALLAST, USE PHILIPS SCREW DRIVER TO LOOSEN (4) DOOR SCREWS TO ACCESS LAMP COMPARTMENT. (SCREWS ARE CAPTIVE).

STEP #2

2. REMOVE THIS SCREW TO REMOVE DOOR ASSEMBLY FROM FIXTURE

STEP #3

3. MAKE SURE CABLE DOES NOT INTERFER WITH DOOR GASKET WHEN CLOSING TO FIXTURE.

STEP #4

4. REMOVE THESE (4) SCREWS TO SERVICE BALLAST.

STEP #5

5. REMOVE REFLECTOR SYSTEM FROM FLUDDLIGHT

STEP #6

6. DISCONNECT BULBS APART TO REMOVE REFLECTOR SYSTEM FROM FLUDDLIGHT.

NOTES

- 1) ALWAYS REPLACE WITH SAME TYPE BALLAST, CAPACITOR AND STARTER IF REQUIRED.
- 2) ALWAYS REPLACE FUSES WITH SAME TYPE AND RATING.

CAUTION:
TO PREVENT DAMAGE TO INTERNAL COMPONENTS, REPLACE LAMP AT OR BEFORE LAMP RATED END OF LIFE. CONSULT LAMP MANUFACTURE FOR SPECIFIC DETAILS ON LAMP LIFE AND RELAMPING RECOMMENDATIONS.

CAUTION:
FIXTURE CONTAINS SILICONE AND EPDM GASKETS. CLEANING THE GLASS & FIXTURE SURFACES WITH STRONG CHEMICALS MAY DAMAGE THE GASKETS AND DR PAINT. USE CAUTION, FLUSH AND CLEAN WITH CLEAN WATER AFTER CLEANING WITH CHEMICALS.

