

DANGER: DISCONNECT A.C. POWER SOURCE BEFORE INSTALLING OR SERVICING FIXTURE!

TOOLS REQUIRED FOR INSTALLATION:

1. PHILIPS SCREW DRIVER.
2. WIRE STRIPPER.
3. 3/4" OPEN END WRENCH.
4. RACHET WRENCH WITH 3/4" SOCKET.
5. 1/8" ALLEN WRENCH.

STEP #1

- ① REMOVE THIS COVER AND COVER ON OPPOSITE SIDE.

STEP #2

- ② REMOVE THIS COVER TO EXPOSE WIRES (THIS SIDE ONLY).

STEP #3

- ③ ADJUST FLOODLIGHTS' VERTICAL AIMING ANGLE THEN TIGHTEN THIS SCREW WITH WRENCH; SEE PICTURE BELOW. BE CAREFUL OF THE WIRES.  
-REPLACE GASKETED COVER WITH (2) PHILIPS FLAT HEAD SCREWS.

STEP #4

- ④ TIGHTEN THIS NUT WITH A 3/4" SOCKET SCREW AND WRATCHET. REPLACE COVER WITH (2) PHILIPS FLAT HEAD SCREWS.

STEP #5

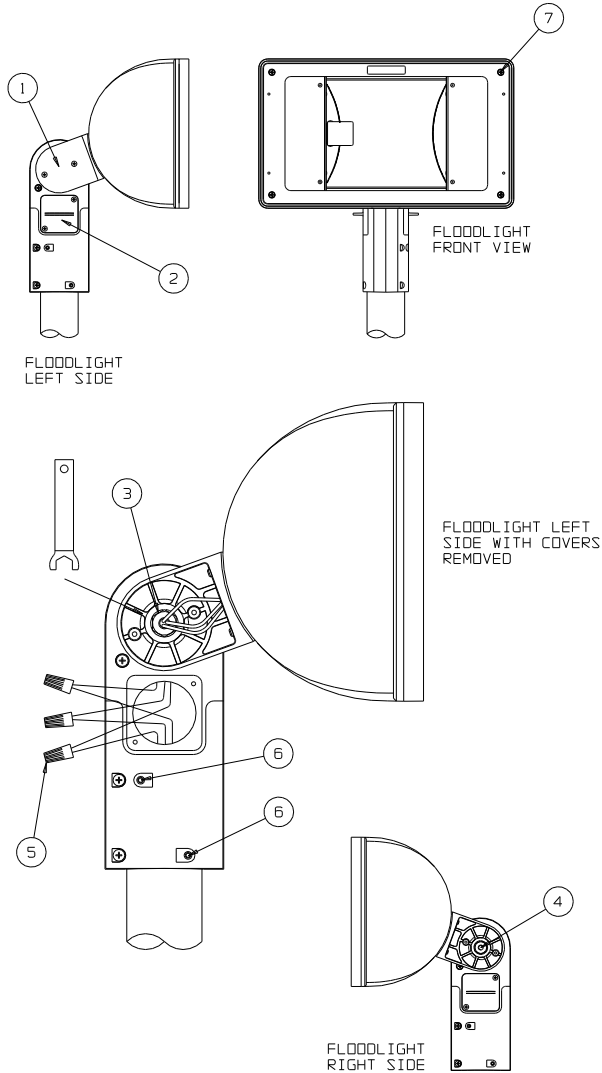
- ⑤ MAKE WIRING CONNECTIONS AND STOW WIRES INSIDE FITTER.  
-REPLACE GASKETED COVER WITH (2) PHILIPS FLAT HEAD SCREWS.

STEP #6

- ⑥ AFTER HORIZONTAL AIMING ADJUSTMENT, LOCK (4) SET-SCREWS, (2) ON THIS SIDE, (2) ON OTHER SIDE, ONTO 2" PIPE TENDON WITH 1/8" ALLEN WRENCH.

STEP #7

- ⑦ TO INSTALL LAMP, USE PHILIPS SCREW DRIVER TO LOOSEN (4) DOOR SCREWS TO ACCESS LAMP COMPARTMENT. (SCREWS ARE CAPTIVE). RELACE DOOR AND TIGHTEN ALL 4 SCREWS



DANGER: DISCONNECT A.C. POWER SOURCE BEFORE INSTALLING OR SERVICING FIXTURE!

TOOLS REQUIRED FOR INSTALLATION:

1. PHILIPS SCREW DRIVER.
2. RACHET WRENCH WITH 5/16" SOCKET.

STEP #1

- ① TO SERVICVE LAMP OR BALLAST, USE PHILIPS SCREW DRIVER TO LOOSEN (4) DOOR SCREWS TO ACCESS LAMP COMPARTMENT. (SCREWS ARE CAPTIVE).

STEP #2

- ② REMOVE THIS SCREW TO REMOVE DOOR ASSEMBLY FROM FIXTURE

STEP #3

- ③ MAKE SURE CABLE DOES NOT INTERFERE WITH DOOR GASKET WHEN CLOSING TO FIXTURE.

STEP #4

- ④ REMOVE THESE (4) SCREWS TO SERVICE BALLAST.

STEP #5

- ⑤ REFLECTOR SYSTEM REMOVED FROM FLOODLIGHT

STEP #6

- ⑥ DISCONNECT PULLS APART TO REMOVE REFLECTOR SYSTEM FROM FLOODLIGHT.

NOTES

- 1) ALWAYS REPLACE WITH SAME TYPE BALLAST, CAPACITOR AND (STARTER IF REQUIRED).
- 2) ALWAYS REPLACE FUSES WITH SAME TYPE AND RATING.

**CAUTION:**  
TO PREVENT DAMAGE TO INTERNAL COMPONENTS, REPLACE LAMP AT OR BEFORE LAMP RATED END OF LIFE. CONSULT LAMP MANUFACTURE FOR SPECIFIC DETAILS ON LAMP LIFE AND RELAMPING RECOMMENDATIONS.

**CAUTION**  
FIXTURE CONTAINS SILICONE AND EPDM GASKETS. CLEANING THE GLASS & FIXTURE SURFACES WITH STRONG CHEMICALS MAY DAMAGE THE GASKETS AND OR PAINT. USE CAUTION, FLUSH AND CLEAN WITH CLEAN WATER AFTER CLEANING WITH CHEMICALS.

