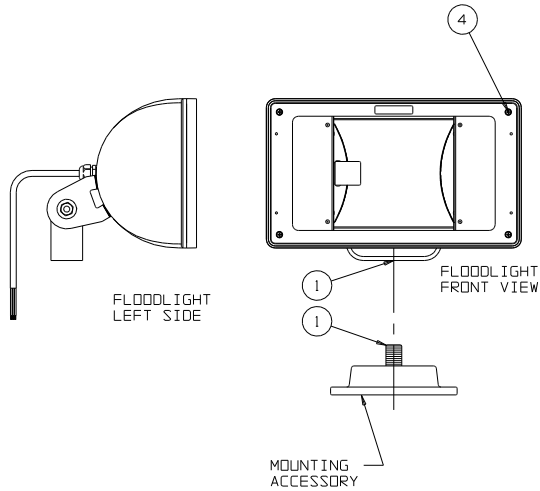


DANGER: DISCONNECT A.C. POWER SOURCE BEFORE INSTALLING OR SERVICING FIXTURE!

TOOLS REQUIRED FOR INSTALLATION:

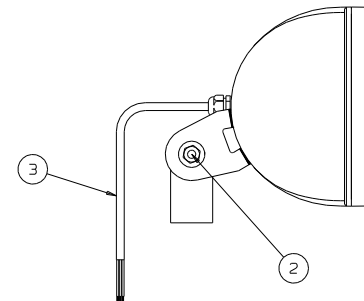
1. PHILIPS SCREW DRIVER.
2. RACHET WRENCH WITH 3/4" SOCKET.
3. RACHET WRENCH WITH 1 1/8" SOCKET.



FLOODLIGHT
LEFT SIDE

FLOODLIGHT
FRONT VIEW

MOUNTING
ACCESSORY



STEP #1
① MOUNT YOKE TO MOUNTING
ACCESSORY WITH 3/4" BOLT

STEP #2
② ADJUST FLOODLIGHTS' VERTICAL
AIMING ANGLE THEN TIGHTEN
THESE SCREW WITH WRENCH.
THERE IS ONE ON EACH SIDE.

STEP #3
③ CONNECT SUPPLY CORD TO
POWER ACCORDING TO N.E.C.
AND LOCAL CODES.

STEP #4
④ TO INSTALL LAMP,
USE PHILIPS SCREW DRIVER
TO LOOSEN (4) DOOR SCREWS
TO ACCESS LAMP COMPART-
MENT. (SCREWS ARE CAPTIVE).
RELACE DOOR AND
TIGHTEN ALL 4 SCREWS

DANGER: DISCONNECT A.C. POWER SOURCE BEFORE INSTALLING OR SERVICING FIXTURE!

TOOLS REQUIRED FOR INSTALLATION:

1. PHILIPS SCREW DRIVER.
2. RACHET WRENCH WITH 5/16" SOCKET.

STEP #1
① TO SERVICE LAMP OR BALLAST,
USE PHILIPS SCREW DRIVER
TO LOOSEN (4) DOOR SCREWS
TO ACCESS LAMP COMPART-
MENT. (SCREWS ARE CAPTIVE).

STEP #2
② REMOVE THIS SCREW TO
REMOVE DOOR ASSEMBLY
FROM FIXTURE

STEP #3
③ MAKE SURE CABLE DOES
NOT INTERFERE WITH DOOR
GASKET WHEN CLOSING TO
FIXTURE.

STEP #4
④ REMOVE THESE (4)
SCREWS TO SERVICE
BALLAST.

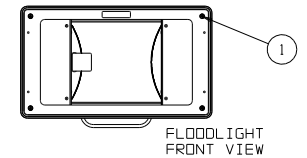
STEP #5
⑤ REFLECTOR SYSTEM
REMOVED FROM
FLOODLIGHT

STEP #6
⑥ DISCONNECT
PULLS APART TO REMOVE
REFLECTOR SYSTEM FROM
FLOODLIGHT.

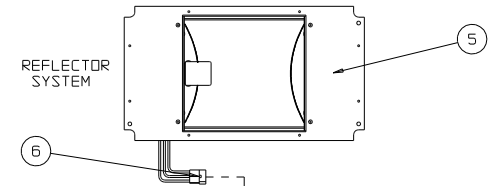
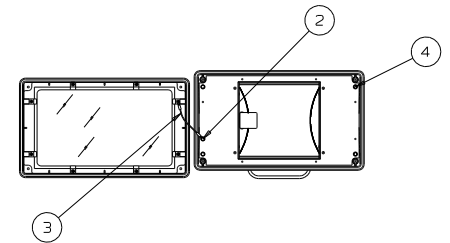
NOTES
1) ALWAYS REPLACE WITH SAME TYPE
BALLAST, CAPACITOR AND (STARTER
IF REQUIRED).
2) ALWAYS REPLACE FUSES WITH SAME
TYPE AND RATING.

CAUTION:
TO PREVENT DAMAGE TO INTERNAL
COMPONENTS, REPLACE LAMP AT
OR BEFORE LAMP RATED END OF
LIFE. CONSULT LAMP MANUFACTURE
FOR SPECIFIC DETAILS ON LAMP LIFE
AND RELAMPING RECOMMENDATIONS.

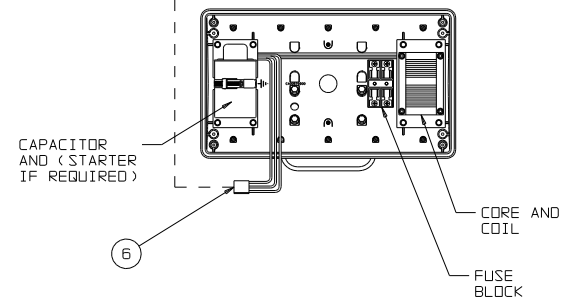
CAUTION
FIXTURE CONTAINS SILICONE AND EPDM
GASKETS. CLEANING THE GLASS &
FIXTURE SURFACES WITH STRONG
CHEMICALS MAY DAMAGE THE GASKETS
AND OR PAINT. USE CAUTION, FLUSH
AND CLEAN WITH CLEAN WATER AFTER
CLEANING WITH CHEMICALS.



FLOODLIGHT
FRONT VIEW



REFLECTOR
SYSTEM



CAPACITOR
AND (STARTER
IF REQUIRED)

CORE AND
COIL

FUSE
BLOCK