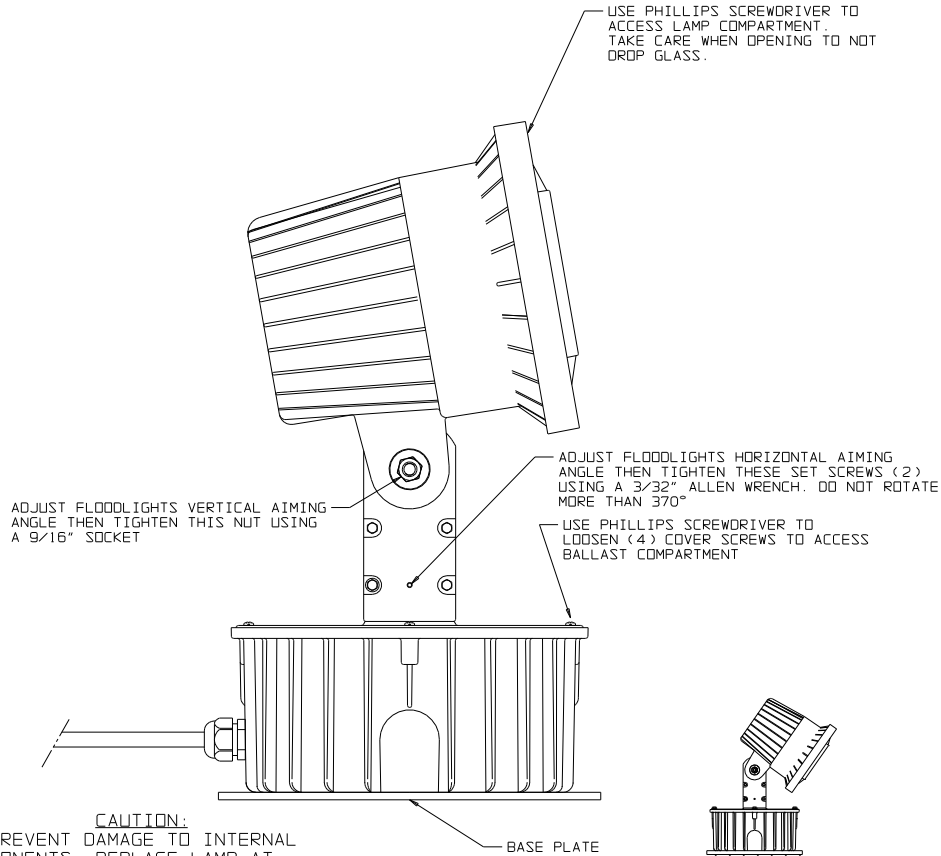


ANGER: DISCONNECT A.C. POWER SOURCE BEFORE INSTALLING OR SERVICING FIXTURE!

STERNER™
INFRANOR™

WHEN INSTALLING ON A VERTICAL SURFACE, ENSURE CAPACITOR IS POSITIONED TOWARDS GROUND

VELA-8d PLATE MOUNT
INSTALLATION/SERVICE INSTR.



CAUTION:
TO PREVENT DAMAGE TO INTERNAL COMPONENTS, REPLACE LAMP AT OR BEFORE LAMP RATED END OF LIFE. CONSULT LAMP MANUFACTURE FOR SPECIFIC DETAILS ON LAMP LIFE AND RELAMPING RECOMMENDATIONS.

CAUTION:
FIXTURE CONTAINS SILICONE AND EPDM GASKETS. CLEANING THE GLASS & FIXTURE SURFACES WITH STRONG CHEMICALS MAY DAMAGE THE GASKETS AND OR PAINT. USE CAUTION, FLUSH AND CLEAN WITH CLEAN WATER AFTER CLEANING WITH CHEMICALS.

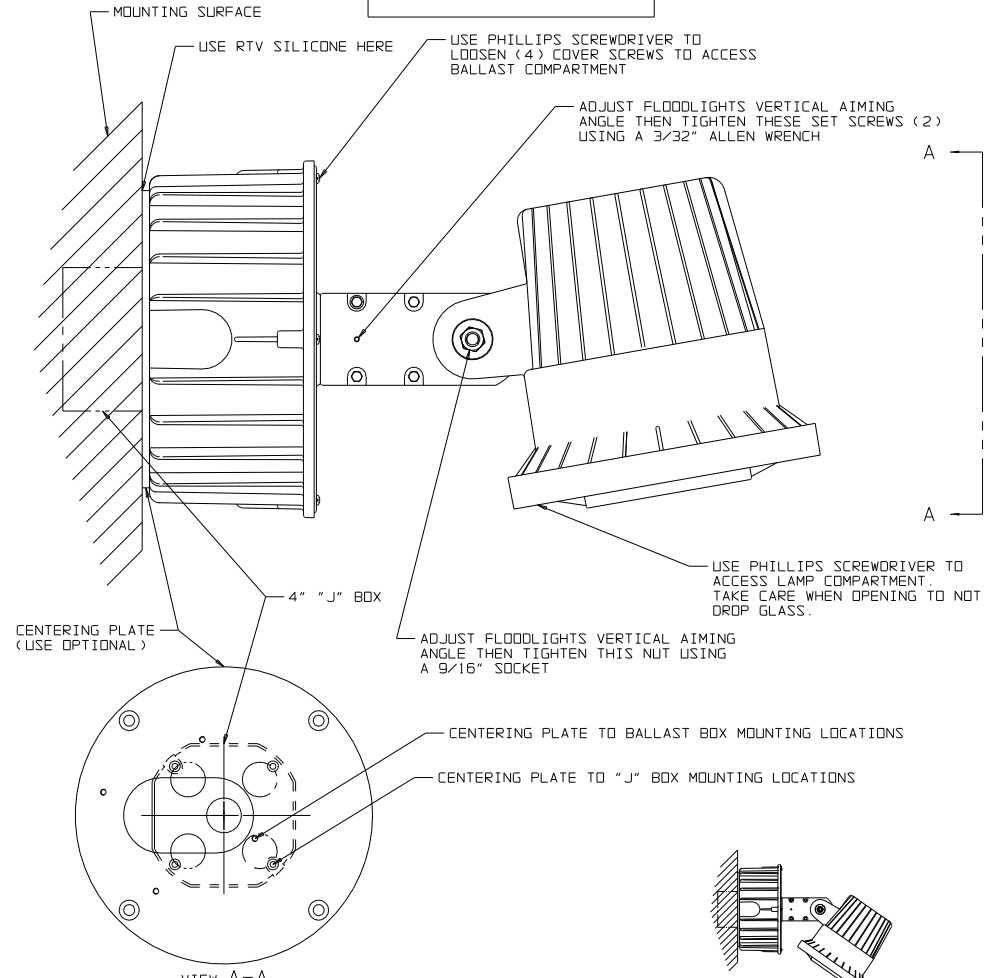
"CAUTION"
DO NOT AIM BACK ONTO A COMBUSTABLE MOUNTING SURFACE.

ANGER: DISCONNECT A.C. POWER SOURCE BEFORE INSTALLING OR SERVICING FIXTURE!

STERNER™
INFRANOR™

WHEN INSTALLING ON A VERTICAL SURFACE, ENSURE CAPACITOR IS POSITIONED TOWARDS GROUND

VELA-8d WALL MOUNT
INSTALLATION/SERVICE INSTR.



VIEW A-A
THE USE OF THE CENTERING PLATE IS OPTIONAL. MOUNT CENTERING PLATE TO "J" BOX EARS WITH SCREWS PROVIDED. SEALING (RTV SILICONE RECOMMENDED) OF THE "J" BOX TO THE CENTERING PLATE OR THE BALLAST BOX IS THE RESPONSIBILITY OF THE INSTALLER. MOUNT BALLAST BOX (WITH SUPPLIED GASKET BETWEEN BALLAST BOX AND CENTERING PLATE) TO CENTERING PLATE WITH SUPPLIED SCREWS.

"CAUTION"
DO NOT AIM BACK ONTO A COMBUSTABLE MOUNTING SURFACE.

D	ADDED CAUTION	JJF	9371	1/23/04				
C	ADDED CAUTION	JJF	9354	10/23/03				
B	UPDATED ADDRESS	JJF	9153	7/28/03	QUALIFIER	VENDOR	DESCRIPTION	
A	ADD WALL MOUNT	JJF	7317	10/4/00	TOLERANCES	DR: FRENKSD	DATE: 5/28/99	
SYM:	CHANGE MADE	DR:	CAR:	DATE:	.XX +/- .03	REF.:	IS: PRINT:	
MATERIAL:					.XXX +/- .010	M#:	SHEET 1 OF 1	
					ANGULAR +/- 1 DEG.	TITLE: INSTALLATION AND SERVICE INSTRUCTIONS, VELA-8d SWIVEL		
BLANK SIZE:	FT. FT ²	FINISH CODES:	PRI	SEC	RATIO: NONE #: 7IS00642600			
STERNER LIGHTING SYSTEMS, INC. 351 LEWIS AVE. W. P.O. BOX 805 WINSTED MN. 55395-0805 PHONE: 320.485.2141 FAX: 320.485.2881					STERNER™			REV. D

FILED: