

INFRANOR™ SERIES - 872 / 876



Job Name: _____

Fixture Type: _____

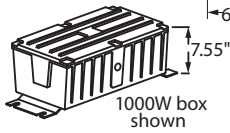
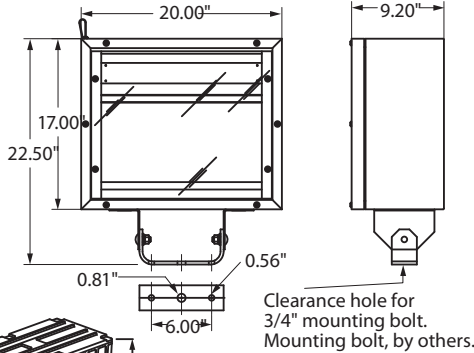
Job Number: _____

Distributor: _____

Distributor P.O.: _____

FIXTURE DIMENSIONS

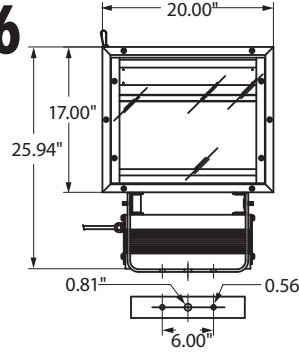
872



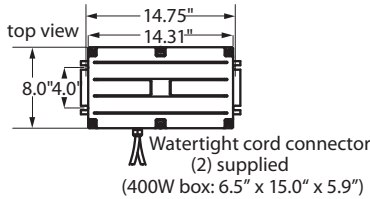
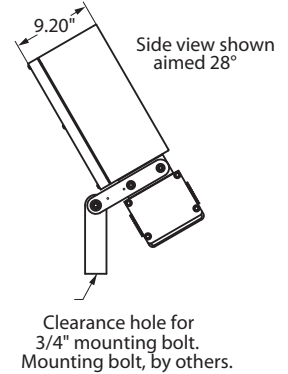
REMOTE BOX WEIGHT: 50 LBS
FIXTURE WEIGHT: 42 LBS

Clearance hole for 3/4" mounting bolt. Mounting bolt, by others.

876



FIXTURE WEIGHT: 90 LBS



EPA CHART (fixture & mounting combined)

FIXTURE	MOUNTING				C28	C29	C39	C49
	110	120	130	140				
872	2.8	7.3	11.8	16.3	5.6	4.1	6.9	8.2
876	3.6	8.9	14.2	19.5	7.2	5.6	9.2	11.2

(In-line & cluster mounts recommended for use with steel poles)

INFRANOR 872 / 876 WRITTEN SPECIFICATIONS

HOUSING

The luminaire housing shall be mitre-formed construction from a single piece of 6063-T6 aluminum extrusion, with only a single seam located at the bottom of the housing. The rear canopy shall be of aluminum sheet that is crimped into a specially designed upper lip of the sidewall extrusion. This lip shall be lined with an Isocryl gasket prior to the crimping process to form a fully sealed canopy without the use of silicone or welds.

LENS & DOORFRAME

The luminaire lens shall be clear tempered glass, 0.188" thick, thermal and impact resistant. Lens shall be set into a mitre formed extruded aluminum doorframe which is secured by (6) self-retained stainless steel fasteners. Lens and doorframe are gasketed by an extruded silicone gasket for a watertight seal. Door shall hinge and be self-retained via (1) stainless steel cable.

YOKE

The luminaire yoke shall be formed from rigid steel bar 5/16" thick and 2.50" wide. Yoke is designed for use with various mounting accessories and to be aimed at an optimum design angle (determined by wattage +/- 5 degrees).

REFLECTOR

The luminaire reflector module shall be of a high purity anodized specular aluminum to provide an asymmetrical distribution. Reflector shall be backed by an aluminum extrusion for stability and repeatability of distribution. The specular reflector sheet shall be held in contour to the extrusions by stainless steel extension springs. Reflector shall include Sternier's unique lamp stabilizer to prevent lamp sag and to maximize lamp life and overall efficiency.

INTERNAL REFLECTOR

Standard reflector shall incorporate (2) internal louvers fastened to both ends to provide for optimum shielding and glare control of the bare lamp. Optional Airport Louver "AV" shall incorporate a third louver to provide additional glare and spill light control required to meet the stringent airport design criteria. Each louver shall be flat black and/or lined with specular aluminum to provide the appropriate asymmetric distribution.

ELECTRICAL MODULE

Luminaire shall be cULus listed for use in wet locations and manufactured from UL recognized electrical components. Electrical assembly is easily accessible through the ballast box. Each high power factor ballast is capable of starting temperatures down to -20°F (28.9°C) and shall be CWA. The socket shall be a mogul-based porcelain socket with a 4KV rating (5KV for 1000HPS). Fixture shall be equipped with a watertight connector and 3' of 16/3 STO-W cord.

LAMP

Luminaire shall accept the following lamps:

400PMH	ED/BT37	750PMH	pulse ED/BT37	400HPS E18
1000MH	ED/BT37	1000PMH	pulse ED/BT37	1000HPS E25

872 REMOTE MOUNTED BALLAST BOX

Ballast shall be housed in a cast aluminum housing with heat dissipating fins and supplied with (2) watertight connectors. Ballast box shall have a cast aluminum cover and is secured with (6) plated steel fasteners. 400PMH and 1000MH ballasts shall be capable of mounting at a distance of 200' (based on 10-gauge wire and 1% voltage drop), 750PMH AND 1000PMH at a distance of 50' (includes long range starter). 400HPS ballast shall be capable of mounting at a distance of 50' and 1000HPS at 75' (includes long range starter). The cast aluminum alloy shall contain less than 2/10 of 1% copper for resistance to corrosion including marine applications.

876 ATTACHED BALLAST BOX

Ballast shall be housed in an extruded aluminum housing with heat dissipating fins. Ballast box shall have aluminum endplates, gasketed by an E.P.D.M. gasket and secured by (4) stainless steel fasteners. Electrical components shall be mounted to an extruded ballast tray that slides out for ease in servicing. Extruded box is to be attached separate from the luminaire housing to reduce heat and wear, maximizing electrical component/lamp life.

FINISH

Finished parts are washed in a multistage phosphate processing system and finished with a standard polyester urethane powder coat paint. Optional anodized finishes are available and shall use an electrolytic process to oxidize and colorize the aluminum for a finish that is extremely resistant flaking, fading, and corrosive environments (some fabricated and mounting hardware will be powder finish). Standard powder colors are dark bronze, black, white, and natural aluminum. Standard anodized colors are bronze (light, medium, and dark), black, and natural aluminum. Contact factory for non-standard colors.



701 Millennium Blvd • Greenville, SC 29607 • TEL 864.678.1000 FAX 864.678.1417 • www.sternerlighting.com

In the interest of continuous product improvement, Sternier Lighting reserves the right to change specifications without notice.



INFRANOR 872 / 876

ORDERING SEQUENCE

Item Sequence:

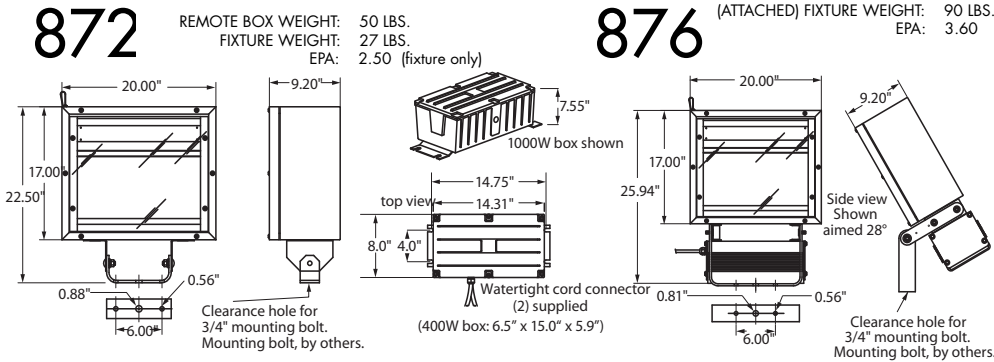
ORDER NUMBER:

1	2	3	4	5	6	7	8	9	10
HOUSING	LAMP WATTAGE	BEAM PATTERN	VOLTAGE	BALLAST	MODEL STYLE	QUANTITY MOUNTING	SHIELD OPTIONS	GENERAL OPTIONS	FINISH
872 (remote)	872: 400PMH 1000MH	4L ¹	120 208 240	C	YK	110 ² C28 ² 120 ^{2,3} C29 ² 130 ^{2,3} C39 ² 140 ^{2,3} C49 ²	AV TS ^{4,5} SG ⁵	FL SC PRL ⁵	BK BZ WH AL AAL ⁷ NS
876 (attached)	876: 750PMH 1000PMH 400HPS 1000HPS		277 347 480			N PD ³ SF ³ WB	N	N	

Notes: 1) First digit denotes fixture qty. per assembly.
2) In-line brackets and 'PD' Base Pad require use of 'SF' Slip Fitter option per fixture.
3) 'TS' top shield finish is black unless otherwise specified.

4) 'SG' Stone Guard not available for use with 'TS' Top Shield option.
5) 'PRL' Photocell Receptacle Luminaire not available with '872' remote version.
6) Extruded parts (housing, doorframe, & ballast box) are anodized. Fabricated yoke parts and mounting options are powder finish.

1. HOUSING



2. LAMP WATTAGE

- (1000MH) ED/BT37(872) (400PMH) ED/BT37
- (750PMH) ED/BT37(876) (1000PMH) ED/BT37
- (400HPS) ED18 (1000HPS) ED18

3. BEAM PATTERN

- (4L) Asymmetric Forward Throw

4. VOLTAGE

- (120) (240) (347)
- (208) (277) (480)

5. BALLAST

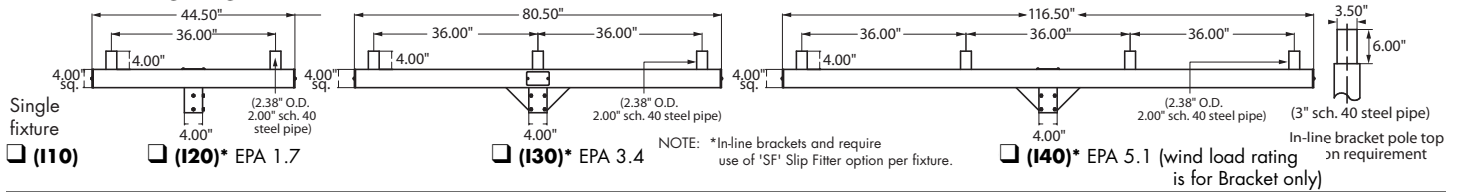
- (C) Core & Coil

6. MODEL STYLE

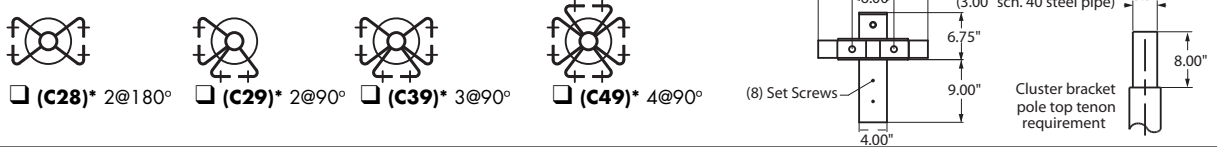
- (YK) Yoke

7. QUANTITY / MOUNTING DETAILS (Note: First digit denotes fixture qty. per assembly)

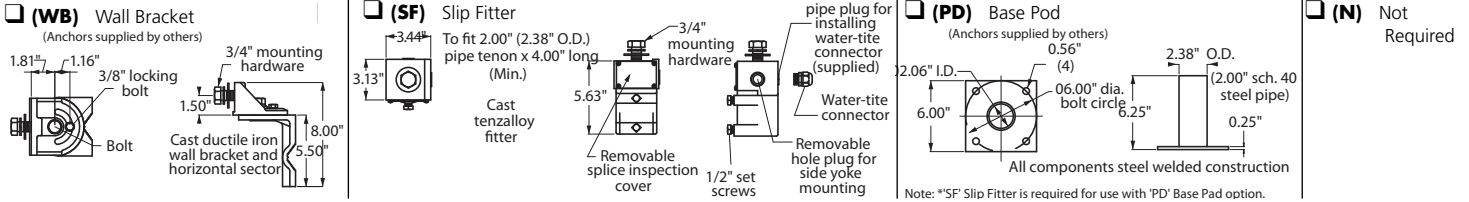
IN-LINE BRACKETS



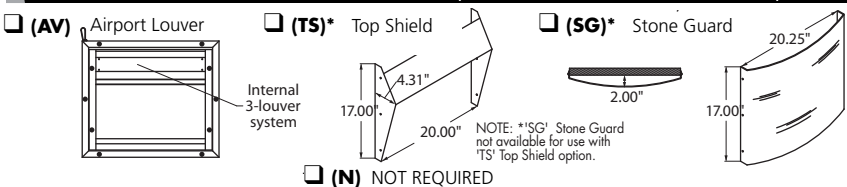
CLOSE CLUSTER BRACKETS



GENERAL MOUNTING



8. SHIELD OPTIONS ('TS' Top shield finish is black unless otherwise specified.)



9. GENERAL OPTIONS

- (FL) Fuse Luminaire (SC) Safety Cable
- (PRL)* Photocell Receptacle Luminaire
NOTE: *PRL Photocell Receptacle Luminaire not available with '872' remote version.
- (N) Not Required

10. FINISH

- Powder** (BK) Black (BZ) Dark Bronze (AL) Natural Aluminum (WH) White
- Anodized** (LBZ) Light Bronze (MBZ) Medium Bronze (DBZ) Dark Bronze (ABK) Black (AAL) Natural Aluminum (NS) Non Standard*