

ARCTURUS - 15



Job Name: _____

Fixture Type: _____

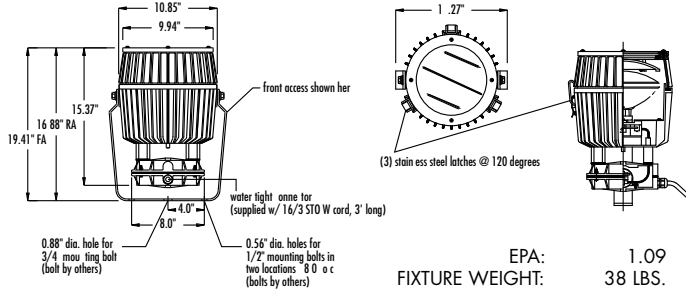
Job Number: _____

Distributor: _____

Distributor P.O.: _____

1. HOUSING

ARCTURUS-15 (AR15)



2. LAMP WATTAGE

INCANDESCENT

(500INC)** PAR64

(1000QTZ)** PAR64

(** '500INC' & '1000QTZ' requires a GX16d ExMogEndPr socket)

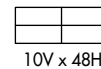
3. BEAM PATTERN

NARROW SPOT (NSP)

MEDIUM SPOT (MSP)

RECTANGULAR (RN1) NARROW - 1

RECTANGULAR (RN2) NARROW - 2



4. VOLTAGE

INCANDESCENT

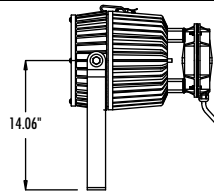
(120)

5. BALLAST (FOR H.I.D ONLY)

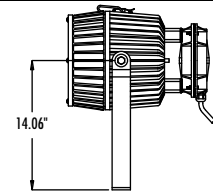
NOT REQUIRED (N)

6. MODEL STYLE

REAR ACCESS (RA)

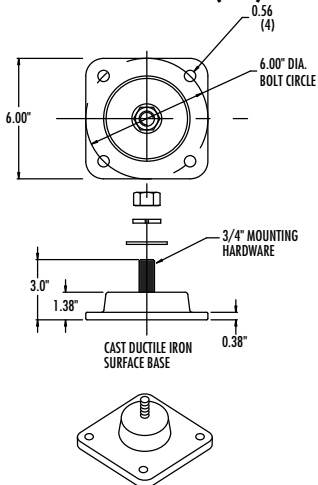


FRONT ACCESS (FA)

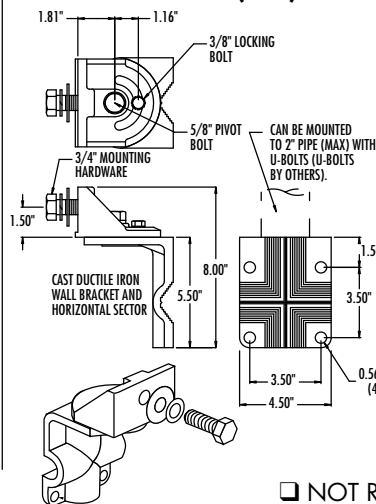


7. MOUNTING OPTIONS

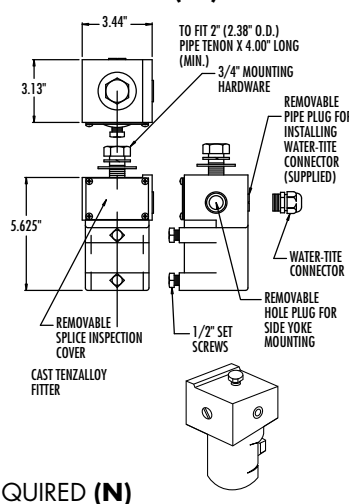
BASE PLATE (BP)



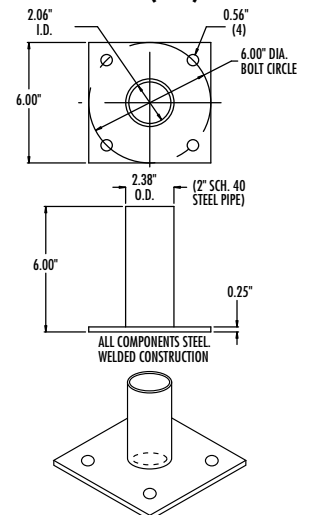
WALL BRACKET (WB)



SLIP FITTER (SF)



BASE PAD (PD)



NOT REQUIRED (N)



701 Millennium Blvd • Greenville, SC 29607 • TEL 864.678.1000 FAX 864.678.1417 • www.sternerlighting.com

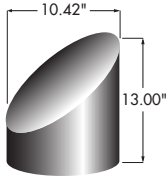
In the interest of continuous product improvement, Sterner Lighting reserves the right to change specifications without notice.



ARCTURUS - 15

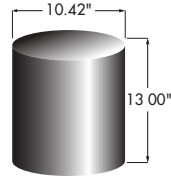
8. SHIELD OPTION (Standard shield finish is black unless otherwise specified)

ANGLED (AS)*
SNOUT

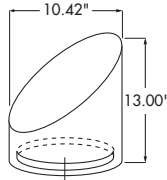


(*All shields are perforated metal)
(**Glass color filters by others, contact factory for availability)

FULL (FS)*
SNOUT



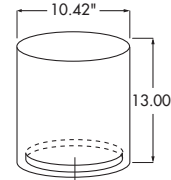
ANGLED SNOU (ASC)**
FOR COLOR FILTER



Glass color filter
by others

NOT REQUIRED (N)

FULL SNOU (FSC)**
FOR COLOR FILTER



Glass color filter
by others

9. LAMP OPTION (Select 'LP' only to include lamp)

INCLUDE LAMP (LP)

LAMP NOT REQUIRED (N)

(** '500INC' & '1000QTZ' requires a GX16d ExMogEndPr socket)

10. FINISH

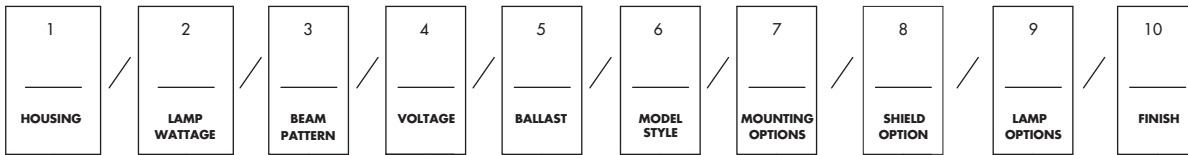
BLACK (BK)*

(*Due to the high wattage and compact fixture size, a high temp acrylic enamel black paint is the standard finish, consult factory for non standard finish availability)

ORDERING SEQUENCE

Item Sequence

ORDER
NUMBER:



SAMPLE
NUMBER:

AR15 - 500INC - RN1 - 120 - N - FA - WB - LP - FS - BK

ARCTURUS - 15 WRITTEN SPECIFICATIONS

HOUSING

The upper and lower luminaire housing shall be cast aluminum and cylindrical in shape with integral fins for heat dissipation. The upper and lower housings shall clamp together with (3) toolless over center stainless steel latches, spaced at 120 degrees to ensure uniform compression and a watertight seal. Housing can be specified as front or rear access (FA/RA) for toolless lamp accessibility.

LUMINAIRE LENS & DOORFRAME

The luminaire lens shall be the maximum impact resistant ceramic glass 0.19" thick and shall be sealed with an E.P.D.M. gasket to the upper luminaire housing to provide a watertight seal. The luminaire doorframe shall be cast aluminum and secured with (4) stainless steel fasteners to the upper luminaire housing.

FINISH

Finish part shall be washed in a multi-stage phosphate processing system and then finished with a baked acrylic enamel high temperature paint. Standard color is black. Consult factory for non standard finish availability for this product.

ELECTRICAL MODULE

Luminaire shall be cULus listed for use in wet locations and manufactured from UL recognized electrical components. The lamp holder shall be a Mogul BiPost for metal halide lamps and ExMogEndPr for quartz halogen and incandescent lamps. Luminaire shall be equipped with 3 ft of 16/3 STO-W core 1000 watt metal halide option shall be capable of operation with a CSI core and coil ballast. Ballast shall be housed in a removable aluminum ballast box supplied with (2) watertight connectors. Ballast box shall have integral fins for additional heat dissipation. Cover is secured with (6) plated steel fasteners for a watertight seal. Ballast shall be capable of mounting a distance up to 200 feet (based on 10 gauge wire and a 1% voltage drop). Luminaire ignitor housing shall be of two-piece cast aluminum and sealed with silicone gasket. The ignitor housing shall be attached directly to the back of the lower luminaire housing.

remarks:
