

CAPELLA-5D

(SWIVEL MODEL STYLE)

Job Name: _____

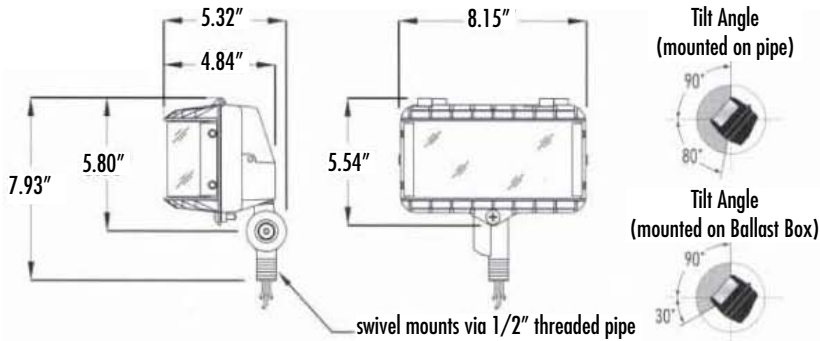
Fixture Type: _____

Job Number: _____

Distributor: _____

Distributor P.O.: _____

1. HOUSING



Housing: one-piece die-cast aluminum with integral fins for heat dissipation.

Door frame: hinged one-piece die-cast aluminum with captive screw.

Lens: curved, clear, thermal, tempered and impact-resistant glass 0.25 in. thick, set into door frame and sealed with a silicone gasket.

The luminaire shall be cULus listed for wet locations and manufactured from UL-recognized electrical components.

EPA (FIXTURE ONLY): 0.38 FIXTURE WEIGHT: 3 LBS. (less ballast and box)

2. LAMP WATTAGE

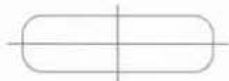
METAL HALIDE (H.I.D.) WATTAGE

- 39T6** 39 WATT CER. PMH⁹
- 70T6** 70 WATT CER. PMH⁹
- 150T6** 150 WATT CER. PMH

QUARTZ WATTAGE

- (75QTZ)** 75 WATT QUARTZ T4 LAMP¹
- (100QTZ)** 100 WATT QUARTZ T4 LAMP¹
- (150QTZ)** 150 WATT QUARTZ T4 LAMP¹
- (250QTZ)** 250 WATT QUARTZ T4 LAMP¹

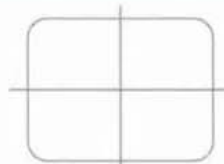
3. BEAM PATTERN



(RN) RECTANGULAR NARROW



(RM) RECTANGULAR MEDIUM



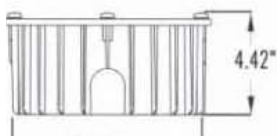
(RW) RECTANGULAR WIDE

4. VOLTAGE

- 120**¹
- 277**

5. BALLAST (FOR H.I.D. ONLY)

- (C)** CORE AND COIL
- (EB)** ELECTRONIC²



Ballast box: die-cast aluminum with finned side wall for heat dissipation; circular in cross-section.

Electronic ballast available in 39W, 70W, and 150W with 120 and 277 volts. Rated for -20° F (-28.9°C).

(N) NOT REQUIRED (HID ONLY)

6. MODEL STYLE

- (SW)** SWIVEL
- (YK)** YOKE

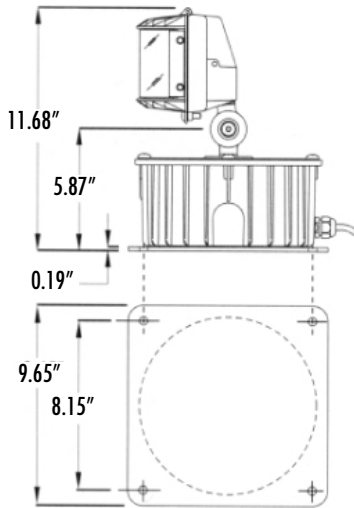
Item Number:	1	2	3	4	5	6	7	8	9	10	
ORDER NUMBER:	CASD	/	_____	/	_____	/	_____	/	_____	/	_____
	HOUSING		LAMP WATTAGE		BEAM PATTERN		VOLTAGE		BALLAST (FOR HID)		MODEL STYLE
											MOUNTING OPTIONS
											FIELD OPTION
											GENERAL OPTION
											FINISH

CAPELLA 5-D

7. MOUNTING OPTIONS

METAL HALIDE (H.I.D.)

(PL) PLATE MOUNT

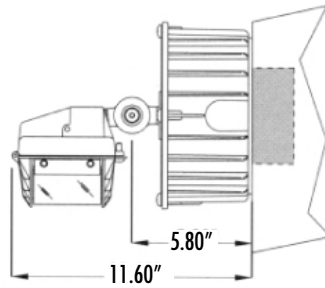


Mounts via four holes that accommodate 3/8" anchors (supplied by others).

3 ft. of 16/3 STO-W cord included with this option.

- (RBPL)** REMOTE BOX PLATE (NOT SHOWN)^{6,7}
- (RBWM)** REMOTE BOX WALL (NOT SHOWN)^{6,7}
- (DB)** DIRECT BURY BOX (NOT SHOWN)
- (DBRB)** DIRECT BURY BOX REMOTE (NOT SHOWN)^{8,9}

(WM) WALL MOUNT

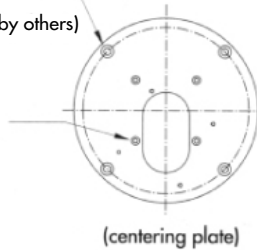


Ballast box can be mounted directly to standard 4" junction box (provided by others) but will not be evenly centered over the junction box.

A 7.50" diameter centering plate (included with this option) mounts to junction box and permits even-centering of the ballast box.

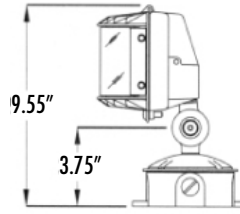
4 clearance holes for 1/4" anchors (anchors supplied by others)

Hole pattern for mounting to junction box

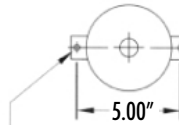


QUARTZ / REMOTE

(SM) SURFACE MOUNT



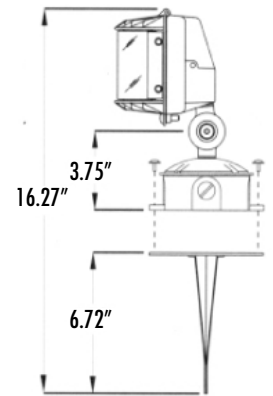
Surface Mount box has 1/2" tapped conduit entry hole.



Clearance holes for 1/4" anchors (supplied by others)

- (WB)** WALL BRACKET MOUNT (NOT SHOWN)⁵
- (BP)** BASE PLATE MOUNT (NOT SHOWN)⁵

(SP) SPIKE MOUNT



Spike compatible with SM option only.

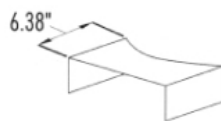
Includes surface mounting box (spike is shipped separately)

8. OPTIONAL SHIELDS

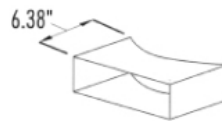
(TS) TOP SHIELD³



(3S) 3-SIDED SHIELD⁵



(4S) 4-SIDED SHIELD⁵



(N) NOT REQUIRED

9. GENERAL OPTIONS

- (FL)** FUSE LUMINAIRE
- (LP)** INCLUDE LAMP⁴
- (N)** NO LAMP (STANDARD)

10. FINISH

- (BK)** BLACK
- (WH)** WHITE
- (BZ)** DARK BRONZE
- (AL)** NATURAL ALUMINUM
- (NS)** NON-STANDARD

Note: 1) QTZ available in 120V only.
 2) 'EB' option not available in 347V.
 3) Standard shield finish is black unless specified otherwise.
 4) Select 'LP' only if a lamp is to be included with the fixture.
 5) 'WB', 'BP' available with yoke mount only.
 6) Remote units include 3' of cord unless specified otherwise.
 7) Remote distance dependent upon lamp and ballast type.
 8) Not available in 70MH. Verification is installer's/specifier's responsibility.
 9) 'EB' only.