

CALLISTO-12



Job Name: _____

Fixture Type: _____

Job Number: _____

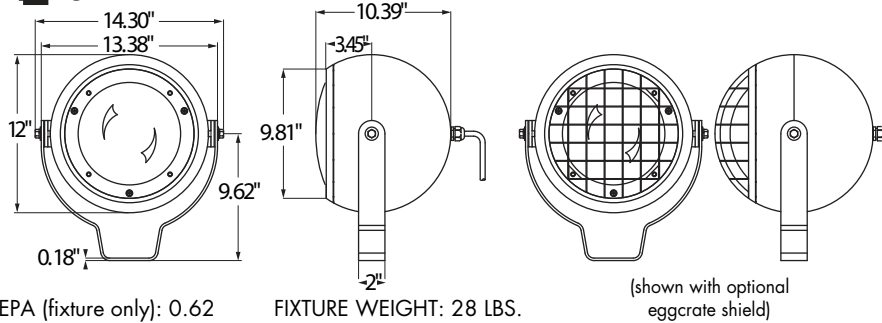
Distributor: _____

Distributor P.O.: _____



1. HOUSING

CL12



EPA (fixture only): 0.62

FIXTURE WEIGHT: 28 LBS.

(shown with optional eggcrate shield)

Housing: two-piece die-cast aluminum with internal component mounting bases.

Door frame: one-piece die-cast aluminum secured with three phillips head screws.

Lens assembly: various clear to prismatic glass lens (beam dependant) gasketed to door to ensure a tight seal.

The luminaire shall be cULus listed for wet locations and manufactured from UL-recognized components.

2 LAMP WATTAGE

'EB' ONLY METAL HALIDE (H.I.D.) ED17

- 70 METAL HALIDE (ED17) **(70PMH)**
- 100 METAL HALIDE (ED17) **(100PMH)**
- 150 METAL HALIDE (ED17) **(150PMH)**
- 39W CERAMIC PMH¹ **(39T6)**
- 70W CERAMIC PMH¹ **(70T6)**
- 150W CERAMIC PMH¹ **(150T6)**

HIGH PRESSURE SODIUM (H.I.D.) ED17

- 100 WATT HIGH PRESSURE SODIUM **(100HPS)**
- 150 WATT HIGH PRESSURE SODIUM **(150HPS)**

QUARTZ WATTAGE PAR56

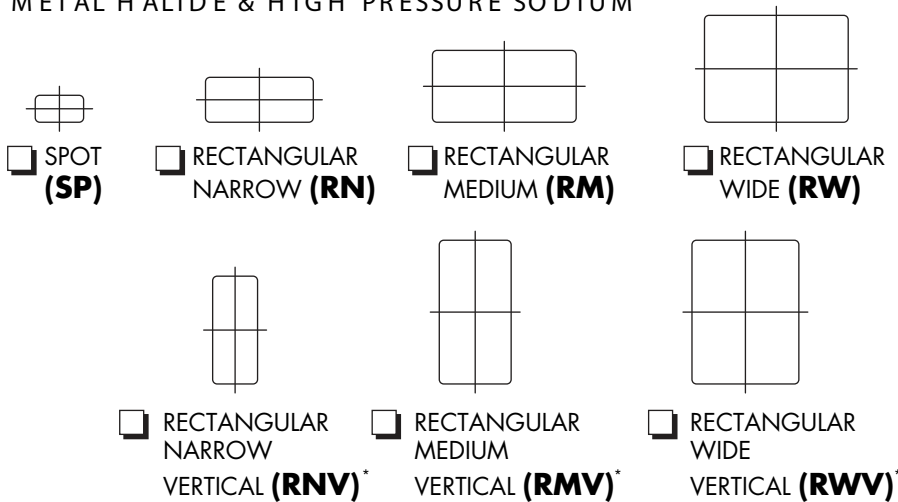
- 500 WATT QUARTZ HALOGEN² **(500QTZ)**

¹(Electronic ballast available only in 39-150 watt PSMH)

² (Quartz available in 120V only)

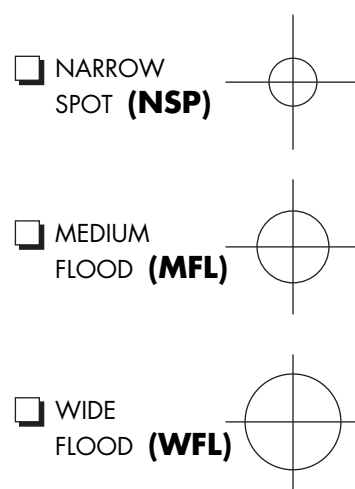
3. BEAM PATTERN

METAL HALIDE & HIGH PRESSURE SODIUM



**"v" denotes vertical beam orientation by 90 degrees.

INCANDESCENT



Item Number:	1	2	3	4	5	6	7	8	9	10	
ORDER NUMBER:	CL12	/		/		/	YK	/		/	
	HOUSING		LAMP WATTAGE		BEAM PATTERN		VOLTAGE		BALLAST FOR (HID)		MODEL STYLE
									MOUNTING OPTIONS		SHIELD OPTION
											GENERAL OPTION
											FINISH

4. VOLTAGE

- 120 277
 208 347
 240 480

(Electronic ballast available only in 120 or 277 volts.)
 (Quartz available in 120 volt only.)

5. BALLAST (H.I.D. ONLY)

- CORE & COIL (C) NOT REQUIRED (N)
 ELECTRONIC (EB)

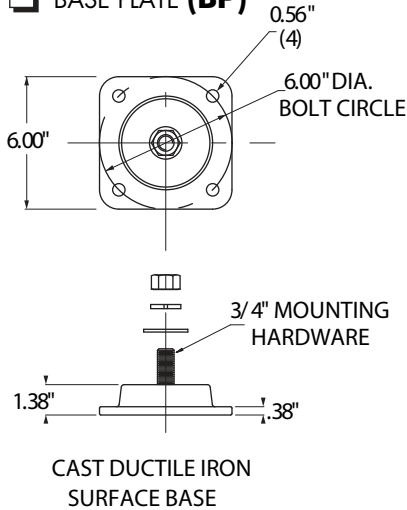
(Ballast is an integral part of the fixture housing.)
 (Electronic ballast available only in 39W, 70W and 150W,
 and in 120 or 277 volt. Rated for -20 F (-28.9 C.)
 (Core and coil ballast is high-power factor and rated for -20 F (-28.9 C.)

6. MODEL

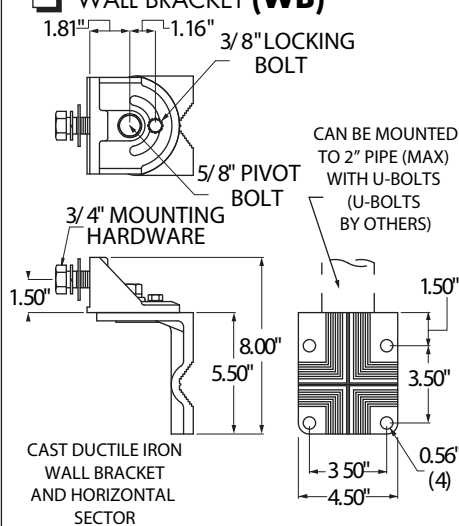
- YOKE (YK)

7. MOUNTING OPTIONS

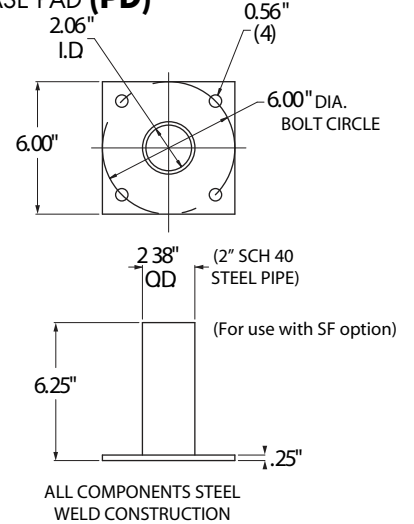
BASE PLATE (BP)



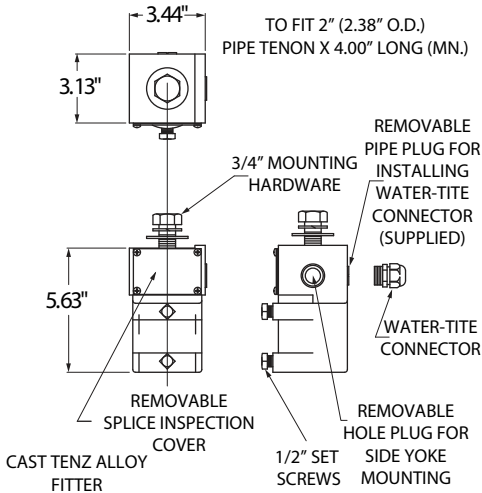
WALL BRACKET (WB)



BASE PAD (PD)

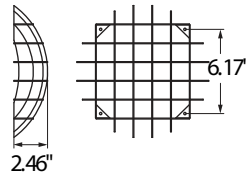


SLIP FITTER (SF) NOT REQUIRED (N)

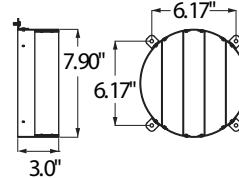


8. OPTIONAL SHIELDS

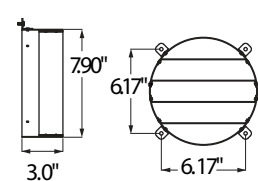
EGGCRATE (EC)



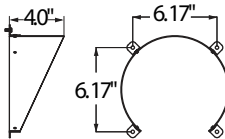
VER. LOUVER (VL)



HOR. LOUVER (HL)



TOP SHIELD (TS)



CUSTOM SHIELD (CS) NOT REQUIRED (N)

The eggcrate is the only shield finished to match luminaire. Standard shield finish is black unless otherwise specified.

9. GENERAL OPTIONS

- INCLUDE LAMP (LP) (T6 ONLY) FUSE LUMINAIRE (FL)
 SAFETY CABLE (SC) NONE (N)

10. FINISH

- BLACK (BK)
 DARK BRONZE (BZ)
 WHITE (WH)
 NATURAL ALUMINUM (AL)
 NON-STANDARD (NS)

REMARKS: